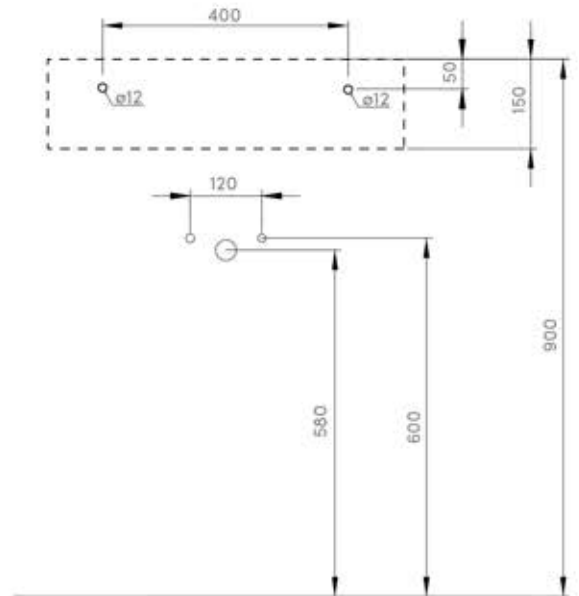
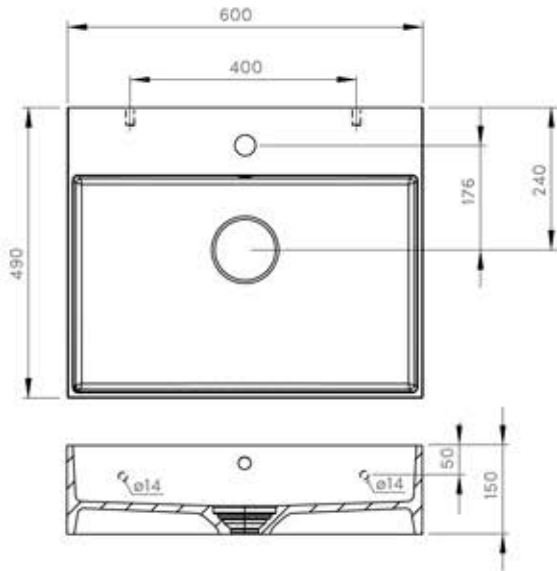


AURIGA 60

INSTALLATION INSTRUCTIONS



* DIMENSIONS IN MM
* DRILLING JIG INCLUDED

* MOUNTING KIT INCLUDED

