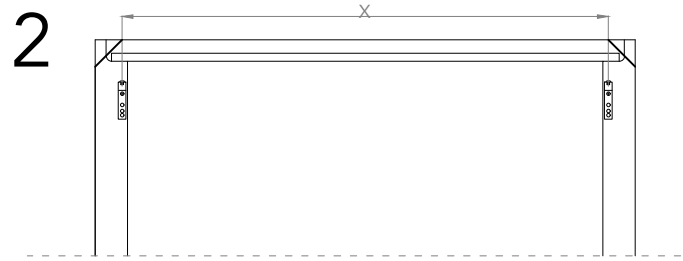
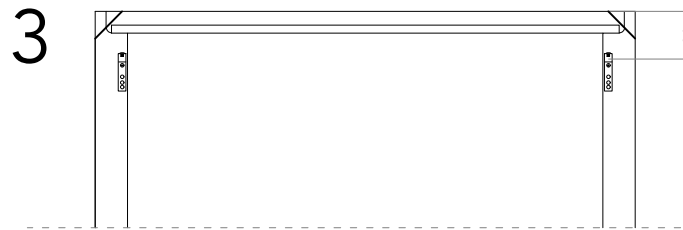


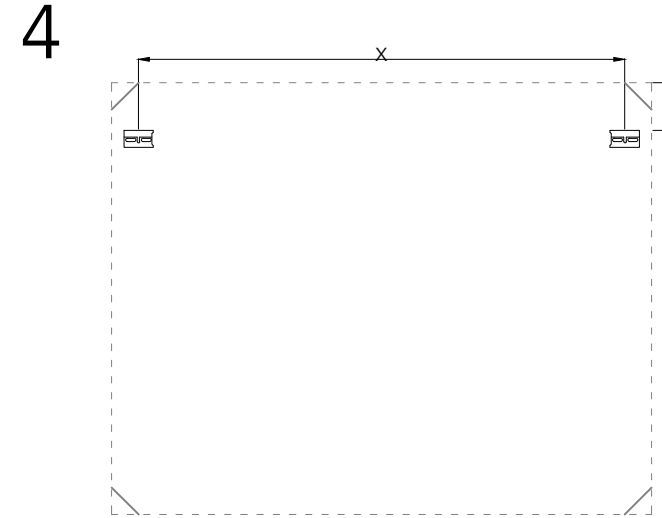
Cut the plate



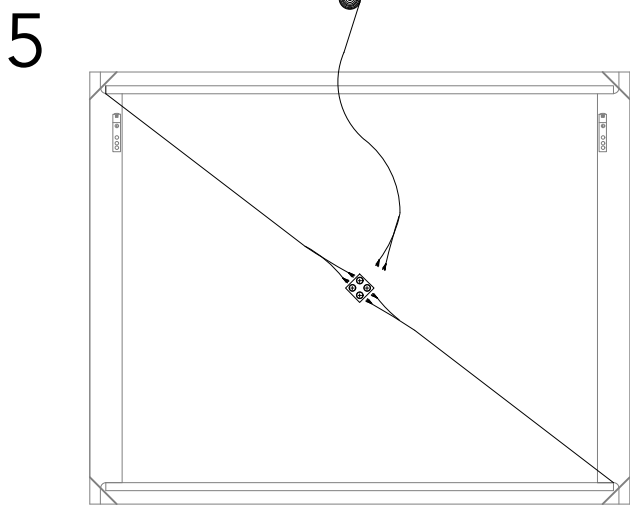
Measure the distance between hooks



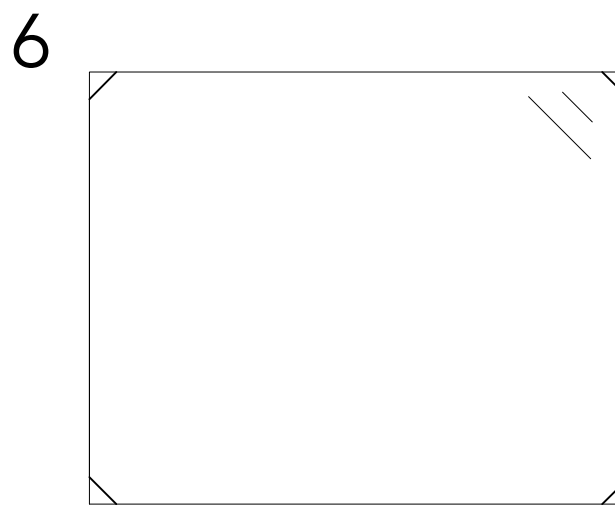
Measure the distance 'Y'



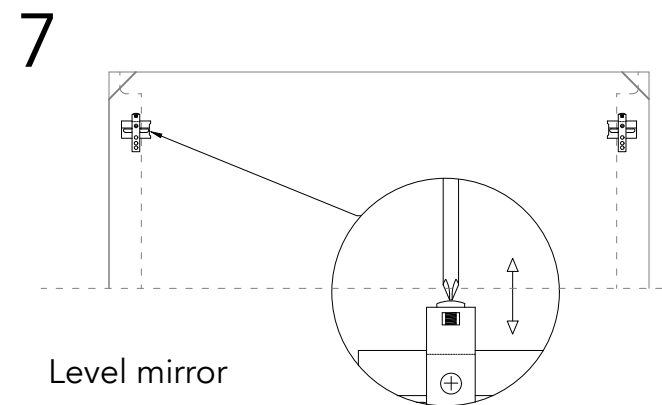
Place the plates on the wall



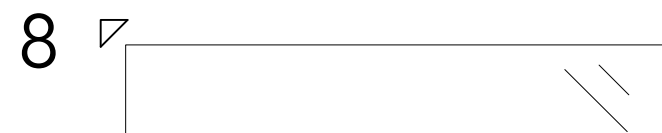
Plug to the main



Place mirror



Level mirror



Remove the corner protectors