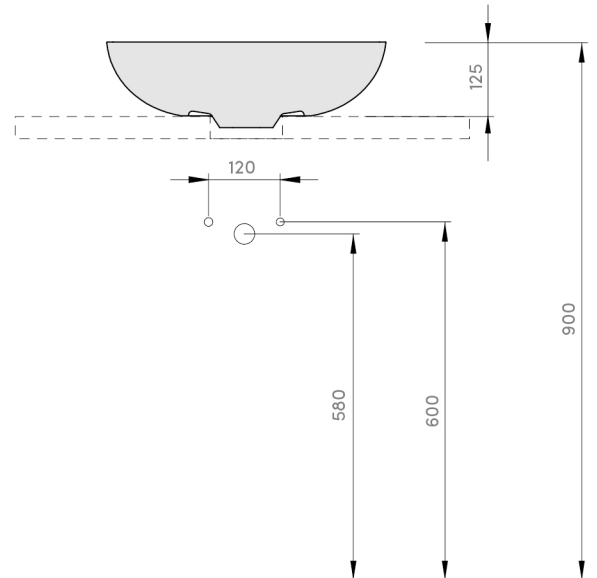
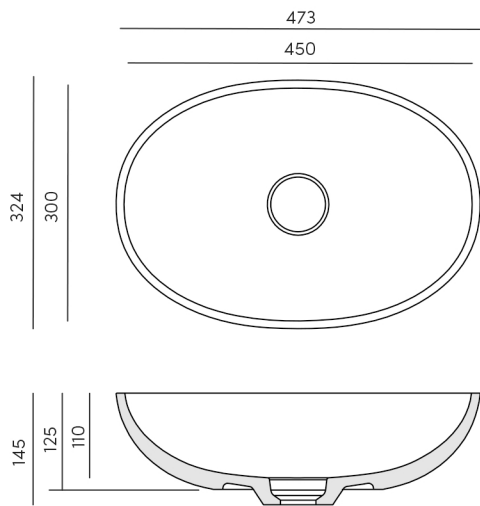


# ARA COUNTERTOP BASIN

INSTALLATION INSTRUCTIONS



\* DIMENSIONS IN MM  
\* DRILLING JIG INCLUDED

## CUT DRAWING

