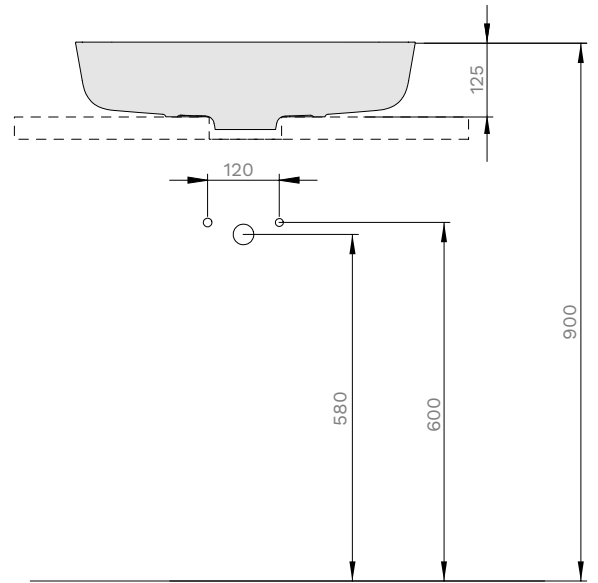
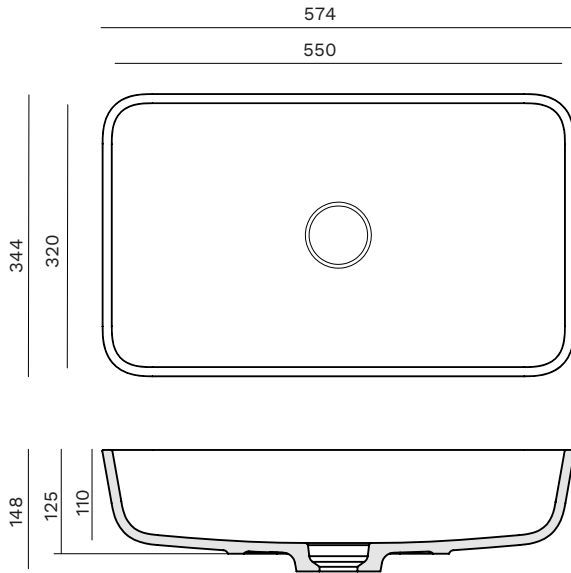


NEBULA 57

INSTALLATION INSTRUCTIONS



- * DIMENSIONS IN MM
- * DRILLING JIG INCLUDED

CUT DRAWING

