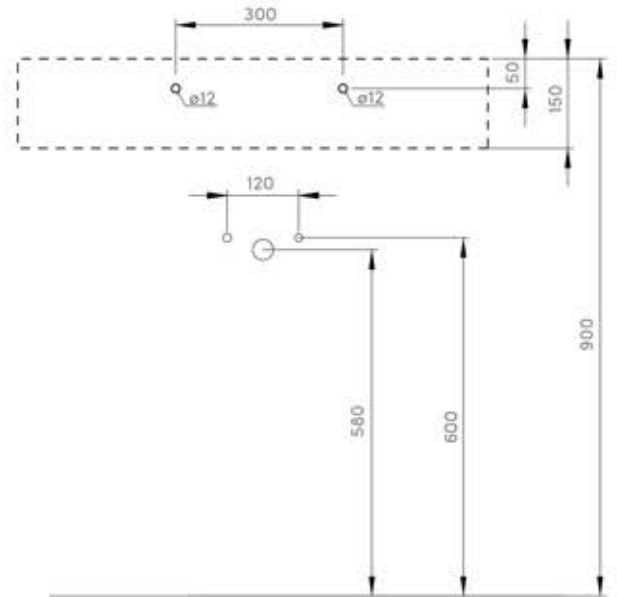
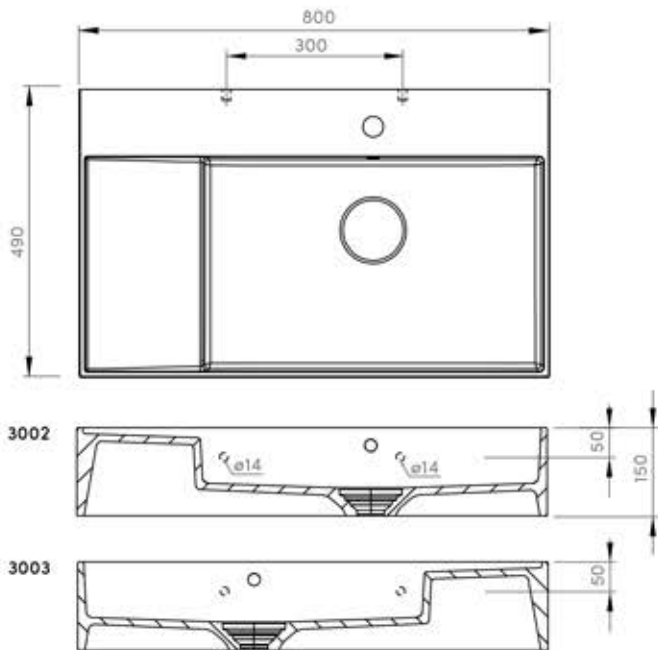


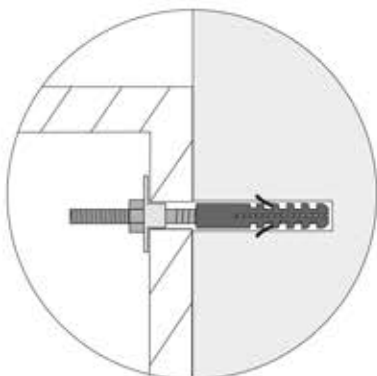
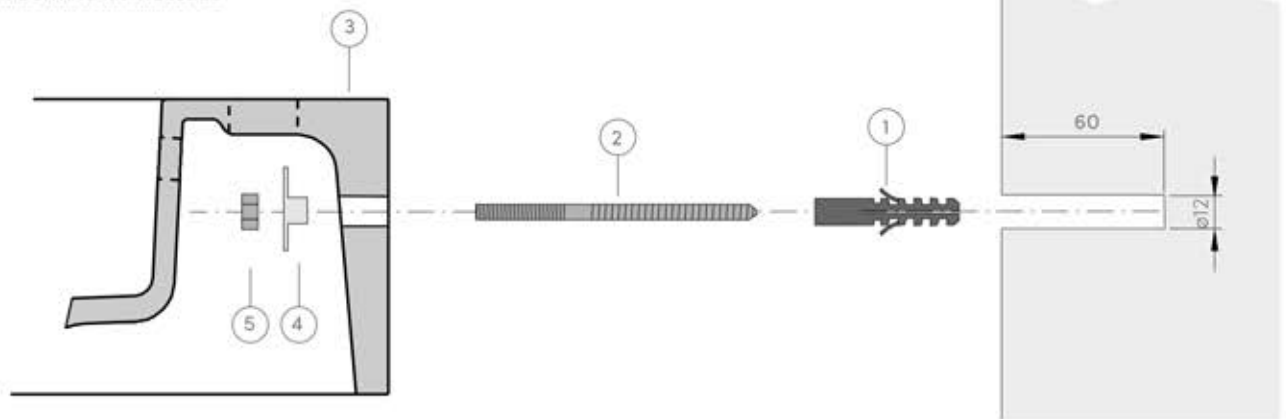
## AURIGA 80

### INSTALLATION INSTRUCTIONS



\* DIMENSIONS IN MM  
\* DRILLING JIG INCLUDED

\* MOUNTING KIT INCLUDED



CORIAN®  
DESIGN